

brand	MEP
-------	------------

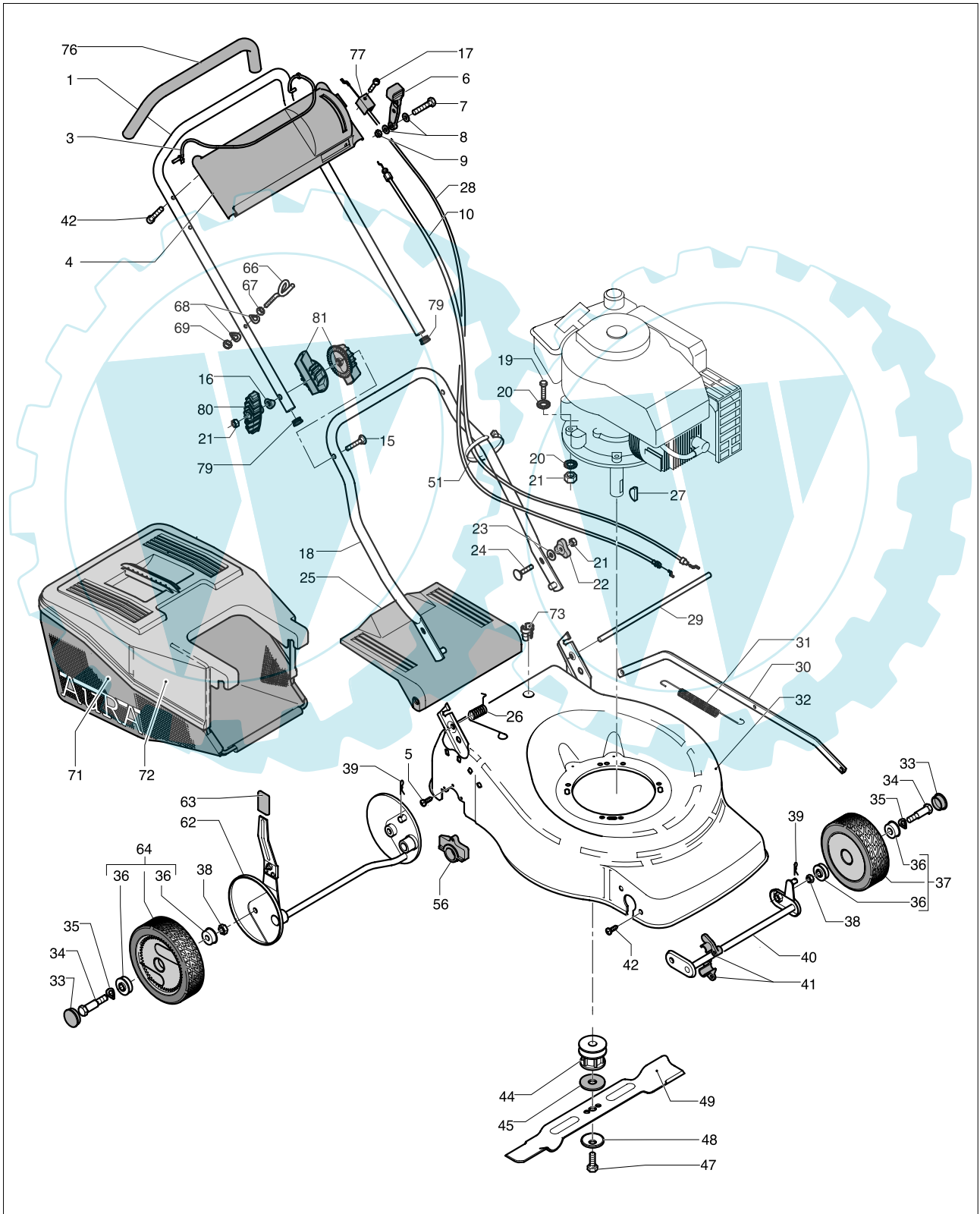
date	FEB/03	SHEET 1/3
------	--------	-----------

Model

A 546 L

Product number

953875559



brand	MEP
-------	------------

date	FEB/03	SHEET 2/3
------	--------	-----------

Model

A 546 L

Product number

953875559

Pos.	PN ELX	PN MEP	DESCRIPTION	Q.ty	NOTE
1	531206038	10146793	upper handle	1	
3	531205168	10121463	lever	1	
4	531205134	10121253	dash-board	1	
5	531208216	20135720	screw	2	TCTC2FD5x16 AC
6	531205138	10121260	accelerator lever	1	
7	531207836	10830000	screw	1	TE M5x25 UNI 5739-8,8-ZB
8	531206666	10284700	washer	2	5/15/1,5 ZB
9	531208492	20282100	nut	1	M5 H7UNI7473-ZB
10	531207754	10800400	accelerator cable	1	B&S - mm 1385/80
15	531205842	10141270	screw	2	TTSQ M8X75
16	531205841	10141263	washer	2	D.8
17	531208217	20135730	screw	1	TE M8x35 UNI 5739-8,8-ZB
18	531206040	10146803	handle lowere	1	
19	531205196 531206681	10121700 10291000	screw	2 1	TE M8x35 TE M8x60
20	531207981	20106200	washer	6	D.8E DIN 6798
21	531207982	20106300	nut	5	M8 H8 UNI 5587-6S ZB
22	531204922	10114200	washer	2	8x16x1,5 ZB
23	531204923	10114303	knob	2	
24	531204921	10114100	screw	2	TTSQ M8x25 T.FIL. ZB
25	531205984	10146213	deflector	1	
26	531205999	10146330	spring	1	
27	531204907	10100900	key	1	4x6,5 UNI6606 WODRUF
28	531205191	10121610	cable	1	B&S - 1097/148
29	531205060	10120530	tie rod	1	
30	531205069	10120653	rod	1	
31	531205056	10120460	spring	1	
32	531210827	1017268K	deck	1	
33	531204936	10114804	plug	4	
34	531205042	10120090	screw	4	
35	531206644	10275100	washer	4	UNI 8840-B12(13/24/0,8
36	531205214	10121900	ball-bearing	8	
37	531204607	9141284	wheel	2	D170/26 COP
38	531207978	20101700	nut	4	M10 H8 UNI 5588-6S ZB
39	531206653	10281400	cotter pin	2	1,8 x 33
40	531205051	10120290	front axle	1	
41	531205057	10120473	bearing	4	
42	531208844	20734900	screw	8	TCTC 4,3x16 FIX ZB
44	531205048	10120200	bearing blade	1	
45	531207243	10531700	washer	1	17,2x50x1,5+0,1
47	531208008	20120580	screw	1	TE 3/8 UNFx37-8,8 1/2F ZB
48	531207237	10530900	washer	1	11x50x2,5
49	531211652	10173170	blade	1	
51	531205581	10135600	clamp	2	160X4,5
56	531205944	10146093	support	2	



Service

ELECTROLUX OUTDOOR PRODUCTS

brand	MEP
-------	------------

date	FEB/03	SHEET 3/3
------	--------	-----------

Model

A 546 L

Product number

953875559

Pos.	PN ELX	PN MEP	DESCRIPTION	Q.ty	NOTE
62	531205101	10121090	rear axle	1	
63	531207986	20107203	sheating	1	
64	531204685	09172624	wheel	2	D.190/26-COP
66	531205169	10121470	cable hook	1	
67	531207165	10501200	nut	1	M6 H6 UNI 5587-6S-ZB
68	531204961	10115900	washer	2	6,5E
69	531208491	20281800	nut	1	M6 H8 UNI7473-ZB
71	531208301	20146134	sac	1	
72	531205949	10146113	sack frame upper	1	
76	531205989	10146243	sheating	1	mm.600
77	531208043	20121983	bearing	1	
79	531208950	20833303	plug	2	
80	531205840	10141253	knob	2	M8
81	531205839	10141243	bearing	4	

